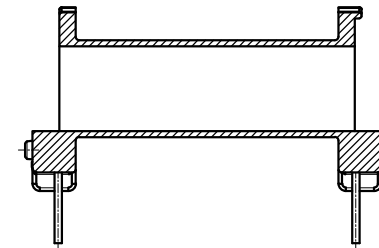
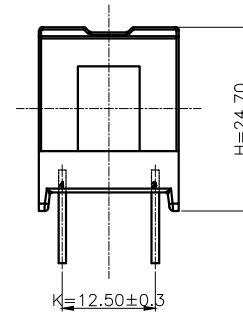
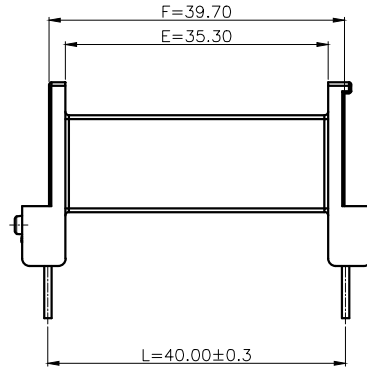
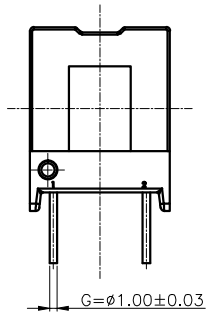
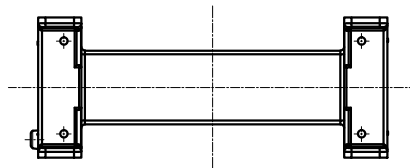


SECTION B-B



SECTION A-A



△							
△							
△							
△							
MARK	REVISION NOTE			DATE	DRAWN	CHECKED	APPROVED
DRAWN	CHECKED	APPROVED	MATERIAL : PHENOL	UL REC. : UL94V-0	THIRD ANGLE PROJ.	SCALE : 1/1	
Sang Han, Kim	Hyung Seok, Lee	Chul, Park		DATE : 2011.01.31	TOLERANCE : ±0.2 (Unless otherwise specified)	UNIT : m/m	
주식회사 대흥보빈 DAE HEUNG BOBBIN CO., LTD			TITLE T (60*19*11) BOBBIN		DWG NO DH-110228-8613-00		